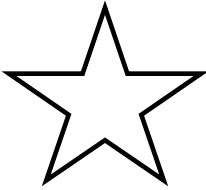
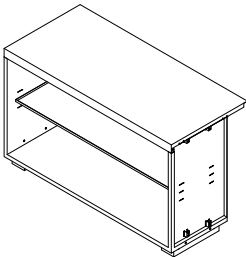
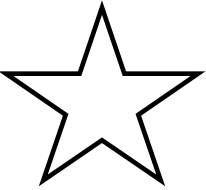


# Storage Cabinet Installations Manual

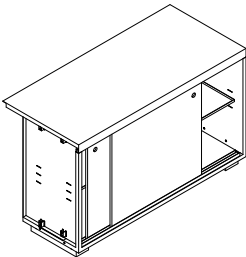
## Model-Steel Top



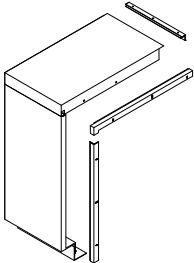
Durable – Interchangeable - Easy to Install



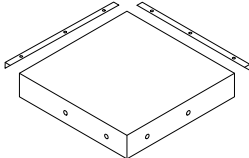
Cabinet - no doors  
Steel Top



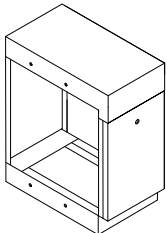
Cabinet - with doors  
Steel Top



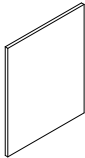
Filler Panel  
Steel Top



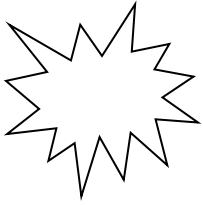
Corner section  
Steel Top



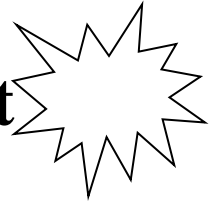
Utility Compartment



End Panel



# Before you Unpack this Equipment



- Check for ALL carton for possible freight damages. If damaged, do not continue to open. Report all damages to the freight carrier and your sales representative.
- Count to make sure the number of boxes matches the packing slip. If they do not, check your Bill of Lading to make sure you received all your equipment.

## General Information

*HVAC CUSTOM ENCLOSURE CO., LLC* provides the industry with high quality cabinetry that is easy to install. Cabinets should be installed by a professional sheet metal contractor that is qualified in installing cabinetry to industry standards. Read your instruction manual prior to installing your equipment and familiarize yourself with the layout of the room, size, and arrangement of the cabinets. This manual will provide guide lines to install this equipment. Remember no two buildings are the same so some modification might be needed. Cabinets come with tops pre- assembled. Cabinets are available in two, three, four and five feet lengths. Each standard cabinet comes with one adjustable Shelve, Front Floor Skirts, Back Wall Brace, Back F-Channel and Hardware Pack. Fasteners required securing equipment to floors and walls **ARE SUPPLIED BY OTHERS**.

**NOTE:** *Additional fastening by others may be needed when Floors and Walls are not level or flat to align cabinets flush and square. If you cannot install cabinets level and flush-STOP & contact SHELVING REPRESENTATIVE.*

## Before Installing: (Additional tools and supplies may be needed)

You will need the following tools.

(Additional tools may needed for fastening to the wall and floor)

Adjustable Drill

Long Phillip Head Bit to fit in Drill (Magnetic Bit Recommended)

3/16" Allen Key

Tape Measure

Contractor Level

Marking Device

Rubber Mallet

Chalk Line

## Steel Tops

Metal cutting equipment (Used for Field Cutting Filler Panels to Length)

## Laminate Tops

Metal cutting equipment (Used for Field Cutting Filler Panels to Length)

**and**

Laminate cutting equipment (Used for Field Cutting Filler Panels to Length)

## NOTE:

**Cabinets may become slightly mis aligned due to SHIPPING vibration. Before installing cabinets check cabinet to insure they are properly flush and square to avoid any installation issue. If you have an issue, contact your supplier before installing.**

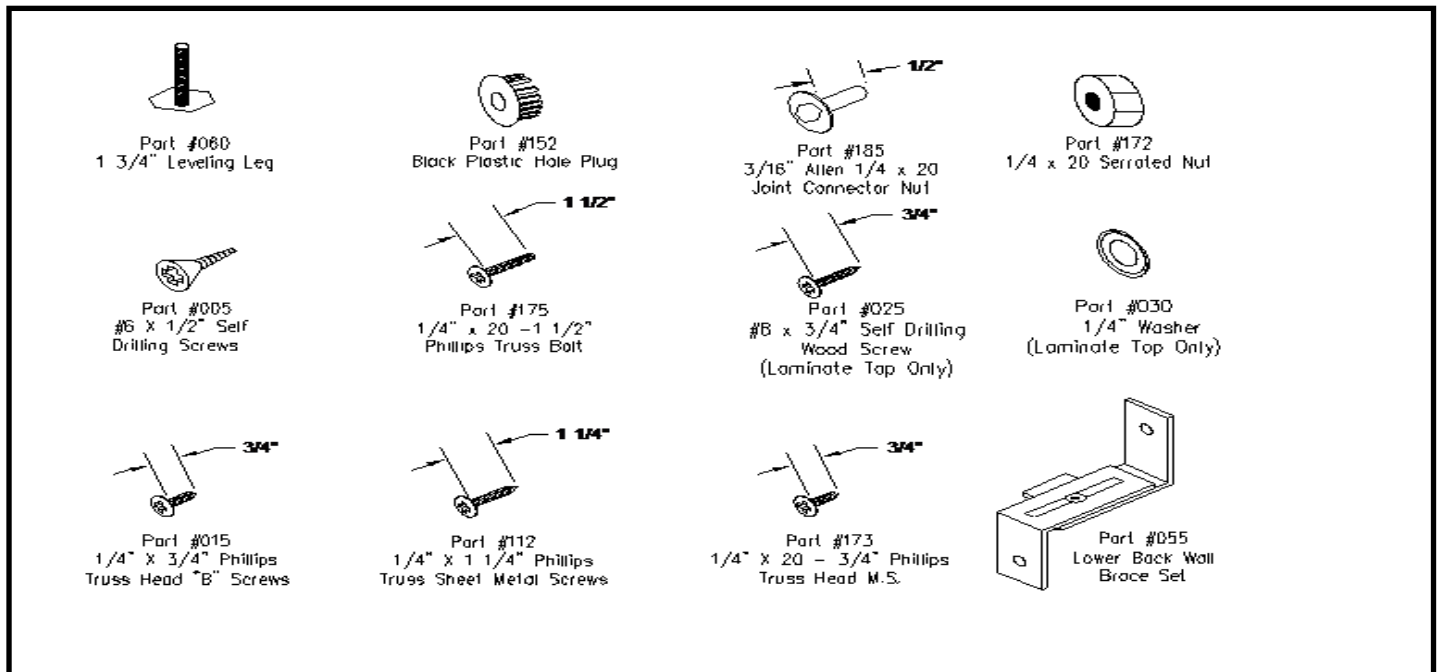
*Please note that the Unit Ventilator should be installed level and square prior to installing cabinetry.*

# Table of Contents

- General Information
- Cabinet Hardware Packs
- Cabinet to Unit Ventilator Installation
- Cabinet-to-Cabinet Installation
- Cabinet to Filler Panel Installation
- End Panel Installation
- Cabinet to Corner Installation
- Utility Compartment

# CABINET HARDWARE- STEEL TOP

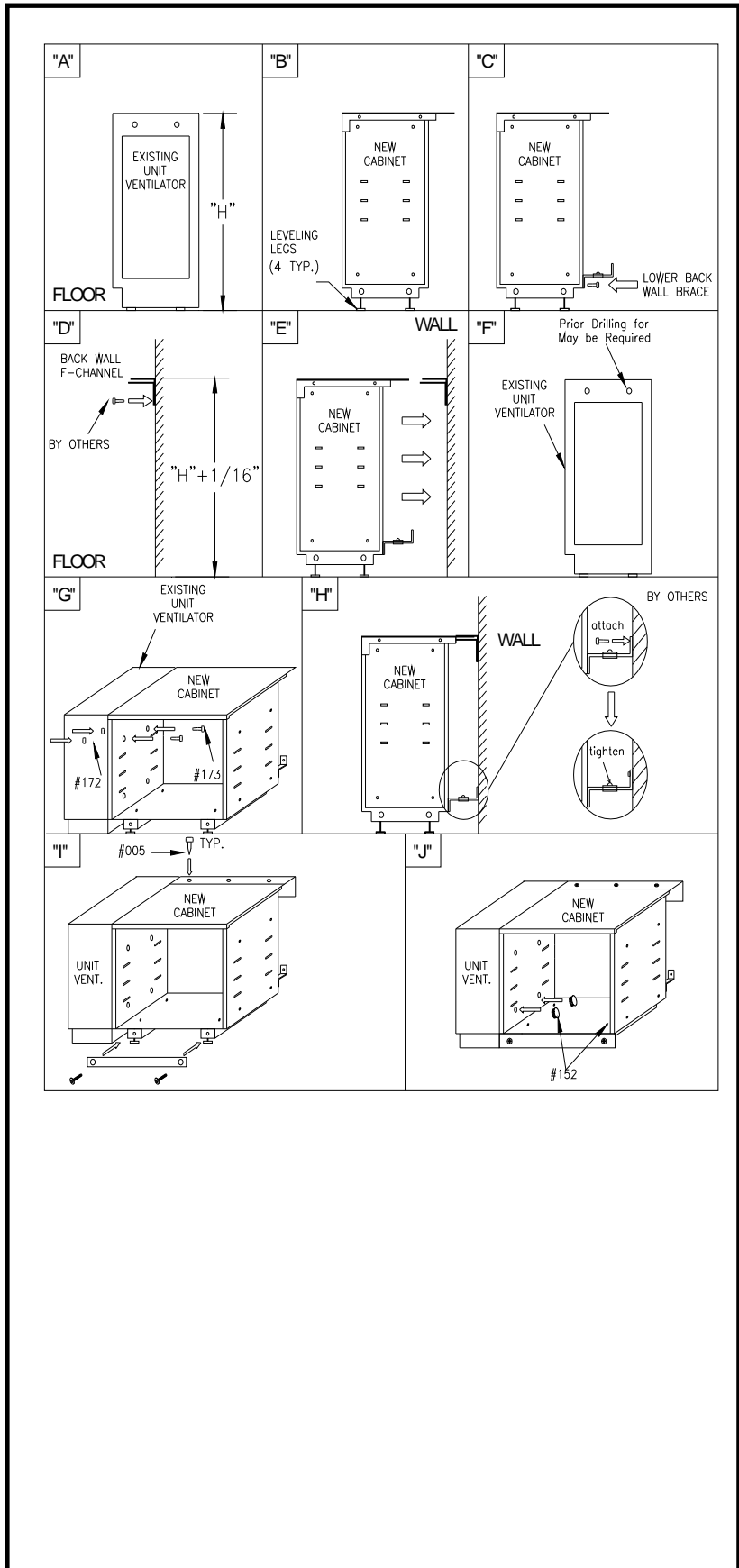
Hardware for Steel Top Cabinets			PAK# 1
Qty	Part#	Description	Used For
4	005	Self Drilling TEK #6 Counter Sunk Screws	Secure Top to F-Channel
4	185	3/16" Allen Key - 1/4 x 20 Joint Connector Nut	Secure Cabinet to Cabinet
2	015	1/4 x 3/4" Phillips Truss Head "Type B" Screws	Secure Front Kick Plate to Base
8	152	.375" Plastic Black Hole Plugs	Plug Hole for Internal Side & Base Leveling Legs
4	175	1/4 x 20 - 1 1/2" Phillips Truss Head Screws MS	Secure Cabinet to Cabinet
1	055	Lower Back Wall Brace Set	Secure Base to Wall
2	173	1/4 x 3/4" Phillips Truss Head Screws	Secure Unit Vent. to Cabinet
2	172	1/4" x 20 Serrated Nuts	Secure Unit Vent. to Cabinet
4	060	1 3/4" Leg Leveler	Cabinet Leg Base Support
Hardware for Filler Panel with Steel Top			Pak # 1A
Qty	Part#	Description	Used For
8	005	Self Drilling TEK #6 Counter Sunk Screws	Secure Filler Front, Side & Back Wall Angle
4	012	1/4 x- 1-1/4" Phillips Truss Head "Type AB" Screws	Secure Filler Top to Cabinet
3	015	1/4 x 3/4" Phillips Truss Head "Type B" Screws	Secure Filler Front Panel to Floor Angle
Hardware for Inside Corner with Steel Top			Pak # 1B
Qty	Part#	Description	Used For
8	005	Self Drilling TEK #6 Counter Sunk Screws	Secure Corner Top to F-Channel
4	012	1/4 x- 1-1/4" Phillips Truss Head "Type AB" Screws	Secure Corner Top to Cabinet
Hardware for End Panel with Steel Top			Pak # 1C
Qty	Part#	Description	Used For
4	012	1/4 x- 1-1/4" Phillips Truss Head "Type B" Screws	Secure Cabinet to End Panel
2	015	1/4 x 3/4" Phillips Truss Head "Type B" Screws	Secure Side Skirts To Base
Hardware for Utility Panel with Removable Front			Pak # 1D
Qty	Part#	Description	Used For
4	005	Self Drilling TEK #6 Counter Sunk Screws	Secure Back Wall Angle to Top Panel
4	012	1/4 x- 1-1/4" Phillips Truss Head "Type AB" Screws	Secure Utility Compartment Top to Cabinet
2	015	1/4 x 3/4" Phillips Truss Head "Type B" Screws	Secure Front Kick Plate to Base
4	173	1/4 x 3/4" Phillips Truss Head Screws	Secure Unit Vent. to Cabinet
4	172	1/4" x 20 Serrated Nuts	Secure Unit Vent. to Cabinet
4	060	1 3/4" Leg Leveler	Cabinet Leg Base Support



# Unit Ventilator to Steel Top Cabinet

- Unpack Cabinet. Be careful when using sharp edges not to damage the finish.
- Remove all parts and protective shipping box. You may want to keep protective box to use over equipment to protect finished installation.
- (A) Measure the height "H" of the unit ventilator from the floor to the finished top of the unit.
- (B) Install (4) #060 Leveling Legs to the bottom base of the cabinet. Adjust leveling legs thru the top bottom base holes with a flat head screw driver to match unit ventilator height.
- (C) Install (1) #055 Lower Back Wall Brace to the rear lower back of the cabinet opposite unit ventilator. (Use back lower screw on cabinet)
- (D) Strike a line 1/16" above Unit Ventilator Finished Top and install Back Wall F-Channel level and flush to the wall. (Adjust height if needed)
- (E) Slide cabinet back into the F-Channel until the front of the cabinet is flush with the unit ventilator. Use leveling legs to level top and front of cabinet with unit ventilator. Make sure holes in Unit Ventilator side frame and (2) upper holes in cabinet inner end panel line up.
- (F) **NOTE: Prior drilling for holes in unit ventilator side frame may be required.** Remove access panel on Unit Ventilator. Line up two top holes in the side end panel of new cabinet with the side frame of the unit ventilator. **(If Required)** Drill two 3/8" holes from the inside of the new cabinet side holes into the side frame of unit ventilator. **Make sure you have clearance for the drill bit before drilling.**
- (G) Make sure the top, front and side of the cabinet must be flush with unit ventilator prior to fastening. Use #173 1/4"x 20- 3/4" machine screw, insert through cabinet and join with (2) #172 Serrated nuts. Prior to tightening make sure unit is flush and level on the top and front.
- (H) Fasten #055 lower back brace assembly to the wall using lower back cabinet screw. Adjust unit brace for correct depth and tighten.
- (I) Fasten #005 self drilling Tek screws through the center of the counter sunk holes in the Back Wall F-Channel. **Note:** If screws are inserted in center of the hole they will be flush with the top of the F-Channel. This will secure unit in place. Install front skirt using (2) #015 truss head Type "B" screws to bottom base. Adjust height to hide floor levelers.
- (I) Insert #152 Plastic Hole plugs in hole location on cabinet inner end panel & base.

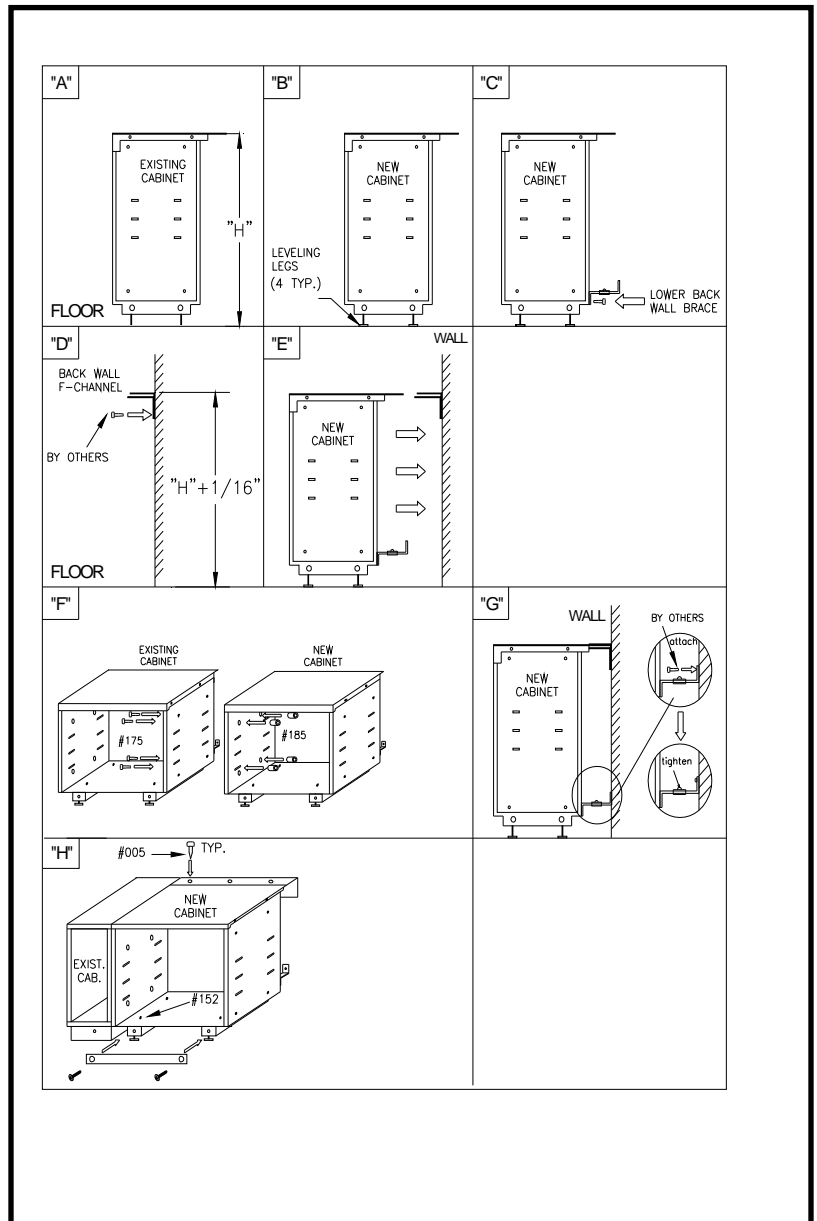
\*\*NOTE: Do not use hardware to pull cabinet and unit ventilator together.



# Steel Top Cabinet to Steel Top Cabinet

- Unpack Cabinet. Be careful when using sharp edges not to damage the finish.
- Remove all parts and protective shipping box. You may want to keep protective box to use over equipment to protect finished installation.
- (A) Measure the height of the existing cabinet from the floor to the finished top "H". Use mounting hole pictures at top to show mounting location for unit ventilator and cabinets.
- (B) Install (4) #060 Leveling Legs to the bottom base of the cabinet. Adjust leveling legs thru the top bottom base holes with a flat head screw driver to match existing installed cabinet height.
- (C) Install (1) #055 Lower Back Wall Brace to the rear lower back of the cabinet opposite existing cabinet. NOTE: When a Draft stop cabinet model is supplied, lower the back baffle on the rear of cabinet to the floor.
- (D) Strike a line 1/16" above existing cabinet and install Back Wall F-Channel to the wall. Make sure the F-Channel is level to existing cabinet F-Channel. (Adjust height if needed)
- (E) Slide the cabinet back into the F-Channel until the front of the cabinet is flush with the existing cabinet. Use leveling legs to level top and front of cabinet to existing cabinet if needed. Top, Front and Side of cabinet must be flush with existing Top, Front and Side of new cabinet prior to fastening.
- (F) Using (4) #175 screws & (4) #185 Allen joint connectors, insert (4) connectors through the (4) holes located on the inner side panel of existing cabinet. Insert (4) #175 screws through (4) holes on the new cabinet. Prior to tightening, make sure cabinets are flush and level on the top and front. **Do not** use hardware to pull existing cabinet and new cabinet together.
- (G) Fasten #055 lower back brace assembly to the wall using lower back cabinet screw. Adjust unit brace for correct depth and tighten.
- (H) Insert #005 self-drilling Tek screws through the center of the counter sunk holes in the Back Wall F-Channel. If screws are drill in center they will be flush with the top of the F-Channel. This will secure unit in place. Install front skirt using (2) #015 truss head "Type B" screws to bottom base. Adjust height to hide floor levelers. Insert #152 Plastic Hole plugs in hole location on cabinet inner end panel & base.

\*\*NOTE: Do not use hardware to pull existing cabinet and new cabinet together

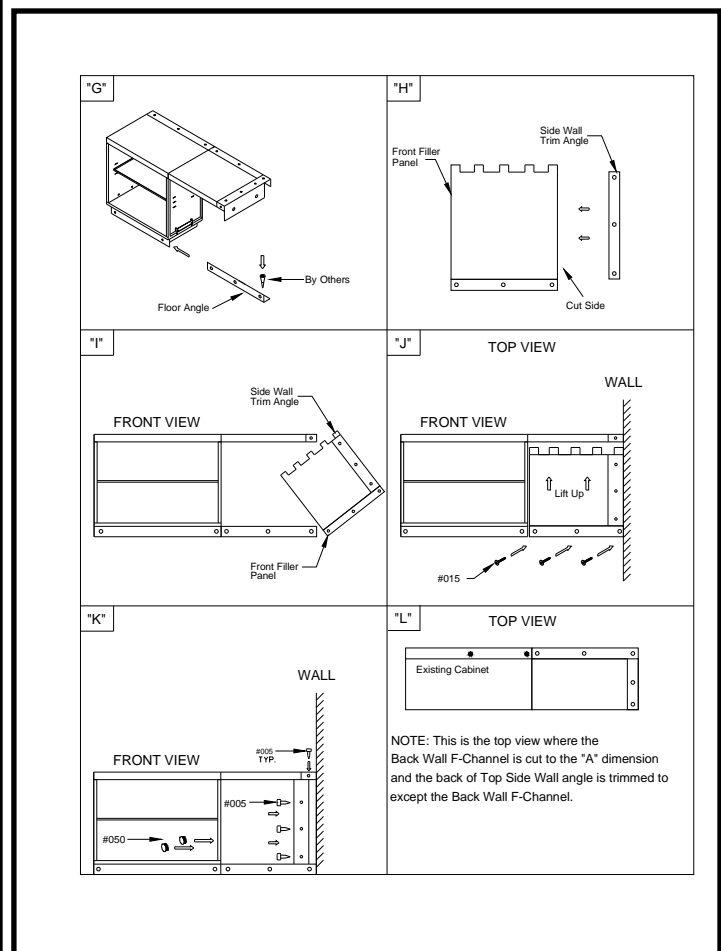
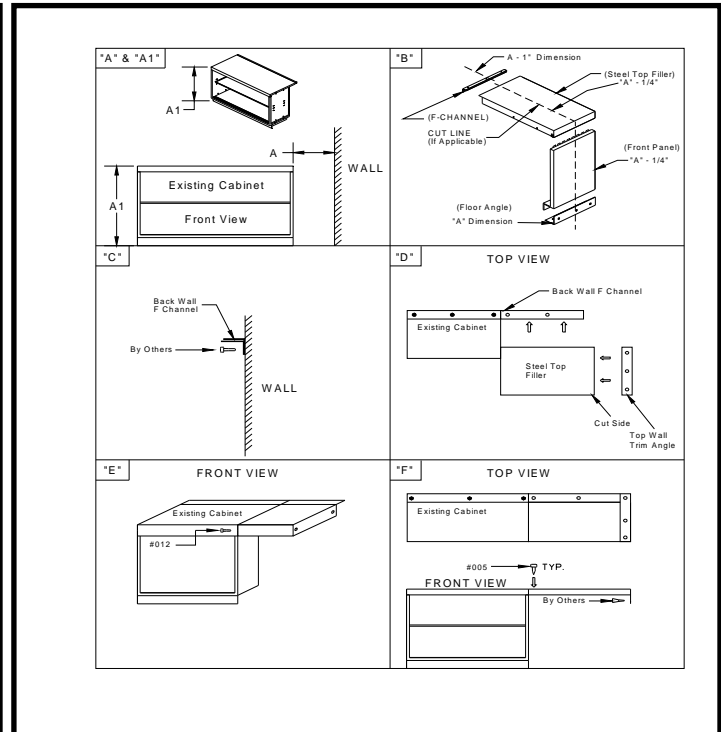


# Steel Top Cabinet to Steel Top Filler Panel

Steel Top Filler sections come with 1-Back Wall F-Channel, 1-Side wall trim angles, 1-Top wall trim angles, 1-Steel Top, 1-Front Panel and 1-Floor angle.

- Unpack Filler Section. Be careful when using sharp edges not to damage the finish.
- Remove all parts and protective shipping box. You may want to keep protective box to use over equipment to protect finished installation.
- (A) Determine the distance between the end of the cabinet to the wall "A" dimension. Measure the height of the existing cabinet from the floor to the finished front top of existing cabinet (A1). If filler section needs to be cut to size, follow step (B). If not, continue on to step (C).
- (B) Cut Back Wall F-Channel 1" Less than "A" dimension to allow for the side wall angle to go to the wall. Cut Floor Angle "A" dimension. Cut Steel Top & Front Panel 1/4" less than "A" dimension. "A" is the distance between the end of the cabinet to the wall.
- **NOTE: If cabinet is beyond cabinet depth, you will have to trim top side wall angle back to allow the back wall angle to the "A" dimension. Trim the back off of the top trim side wall angle to fit. (Shown in picture "L").**
- (C) Strike a line 1/16" above existing cabinet (A-1 Dimension) and install F-Channel to the wall. Make sure the F-Channel is level and flush to existing cabinet F-Channel.
- (D) Slide the top wall trim angle onto the cut side of the steel top panel. Slide steel top filler panel into F-Channel until the front panel is lined up flush with the existing cabinet. Line up the mounting holes on the steel top filler panel against the holes in the side of the existing cabinet. (Adjust height if needed).
- (E) Make sure the filler top panel is level and flush with the cabinet. Match hole locations with the top holes in the inner side panel of the cabinet and the holes in the side of the steel top filler panel. Insert (2) # 012 1/4" x 1 1/4" sheet metal screws through the top holes in the cabinet into the holes in the side of the steel top filler panel. Do not tighten until final adjustment.
- (F) With the holes provided in the side of the filler top side wall trim angle, fasten angle to the wall (Fasteners by others). Make sure side top panel is flush and level prior to tightening all fasteners. Install #005 Tek screws through the Back Wall F-Channel and sidewall trim angle securing the steel top in place.
- (G) Align floor angle to existing cabinet front skirt. Fasten to floor through holes in bottom side of floor angle (Fasteners by other).
- (H) Slide front sidewall trim angle over the cut front panel.
- (I) With the front side wall trim angle in place, insert the bottom of the steel front panel behind the floor angle.
- (J) Line up front steel panel with the aligning slot in the top steel panel. Using (3) #015 fasteners, lift up front panel into top panel and fasten front panel into place at the floor angle.
- (K) Slide front side trim angle tight against wall and insert (3) #005 Self Drilling Tek screws through counter sunk holes provided in top, side & front trim angle.

\*\*NOTE: Do not use hardware to pull existing cabinet and new filler section together



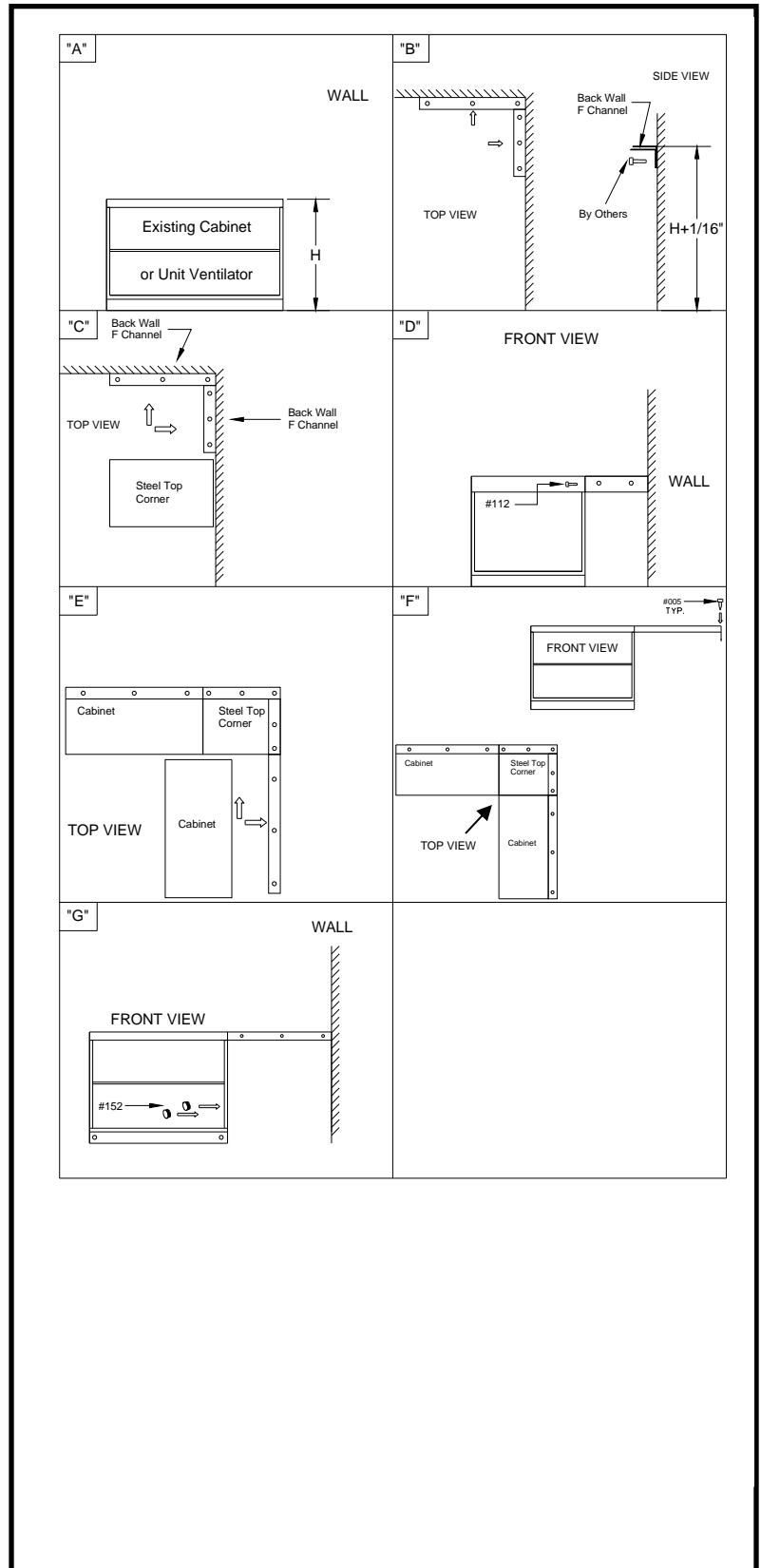
# Steel Top Cabinet to Steel Top Corner

Note: **Prior to installing**, review room layout. Make sure corner height will match Unit Ventilator height. For best installation, install corner prior to installing cabinet. Each corner side is design to be installed against cabinets.

## Steel Top Corner Filler comes with 2-Back Wall F-Channel and Steel Top Panel.

- Unpack Steel Top Corner. Be careful when using sharp edges not to damage the finish.
- Remove all parts and protective shipping box. You may want to keep protective box to use over equipment to protect finished installation.
- (A) Measure the height of the existing cabinet from the floor to the finished front top "H".
- (B) Decide your final depth for both sides of the cabinets. You will need to trim one angle to fit against the other angle. (Shown in "C"). Trim one angle to correct length.
- Strike a line 1/16" above existing cabinet and install (2) Back Wall F-Channel to the wall. Make sure the Back Wall F-Channel is level and flush to existing cabinet F-Channel. Both Back Wall F-Channels are the same length.
- (C) Slide Steel Top Corner into F-Channel
- (D) Slide cabinet against the Corner steel top panel, making sure the corner and cabinet are level and flush. If needed, adjust leveling legs of cabinet to insure holes in the steel top corner line up with the holes in cabinet. Insert (2) # 012 1/4" x 1 1/4" sheet metal screws through the (2) top holes on the inner end panel of the cabinet. Match hole location in side of corner steel top panel. Do not tighten until final adjustment. (Adjust height if needed).
- (E) Slide opposite cabinet against steel top corner and repeat the same procedure to the opposite side of the corner.
- (F) Make sure front cabinet corners are align before tightening.
- (G) Insert (2) #152 Black Plastic Hole plugs through lower holes in the cabinet inner end panels. (Supplied in cabinet hardware).

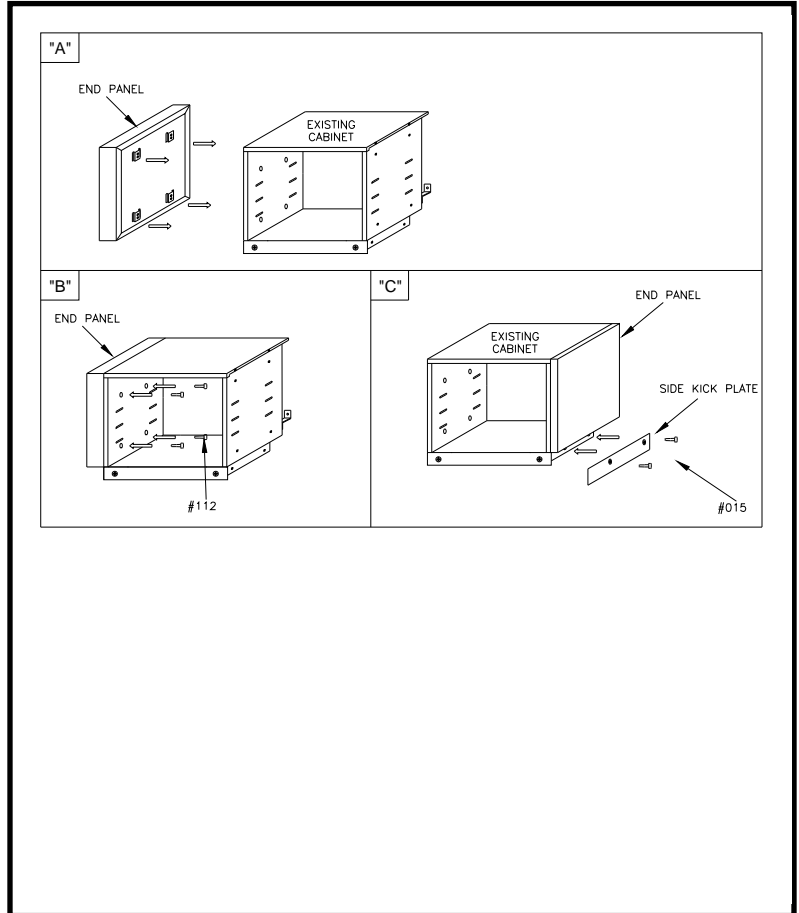
**\*\*NOTE:** Do not use hardware to pull existing cabinet and new corner section together. Make adjoining cabinet level and square so front cabinet corner have no gap.





# Steel Top Cabinet to End Panel

- Unpack End Panel. Be careful when using sharp edges not to damage the finish.
- Remove all parts and protective shipping box. You may want to keep protective box to use over equipment to protect finished installation.
- (A) Line up holes in end panel to (4) holes in the inner side panel of cabinet.
- (B) Insert (4) #112 1/4" X 1 1/4" sheet metal screws through the hole on inner side panel of cabinet. Fasten screws into end panel bracket holes. Make sure end panel is flush with all sides of the cabinet and tighten.
- (C) Install Side Skirt by inserting (2) #015 screws into cabinet support base. Adjust to hide leveling legs on the cabinet support base.



# Steel Top Utility Compartment

## Steel Top Utility Compartment

**Note:** Utility Compartments cannot be field modified. Utility compartments must have equipment installed on both sides.

- Unpack Utility panel. Be careful when using sharp edges not to damage the finish.
- Remove all parts and protective shipping box. You may want to keep protective box to use over equipment to protect finished installation.
- (A) Measure the height of the existing cabinet or unit ventilator from the floor to the finished front top "H". Install (4) #060 Leg Levelers & remove front panel.
- (B) Strike a line 1/16" above existing unit ventilator ("H" Dimension) and install Back Wall F-Channel to the wall. Make sure the F-Channel is level and flush.
- (C) **Installation of Utility Compartment to Unit Ventilator**

Prior to installing utility compartment, check to see if holes in the unit ventilator side frame line up with the holes in the utility compartment. If they do, line up utility compartment flush and level with the side of the unit ventilator. Identify the location where the holes need to be drilled. Make sure you do not drill into wires or components in the unit ventilator. When this is complete, slide utility compartment into Back Wall F-Channel lining up the front edge with existing equipment.

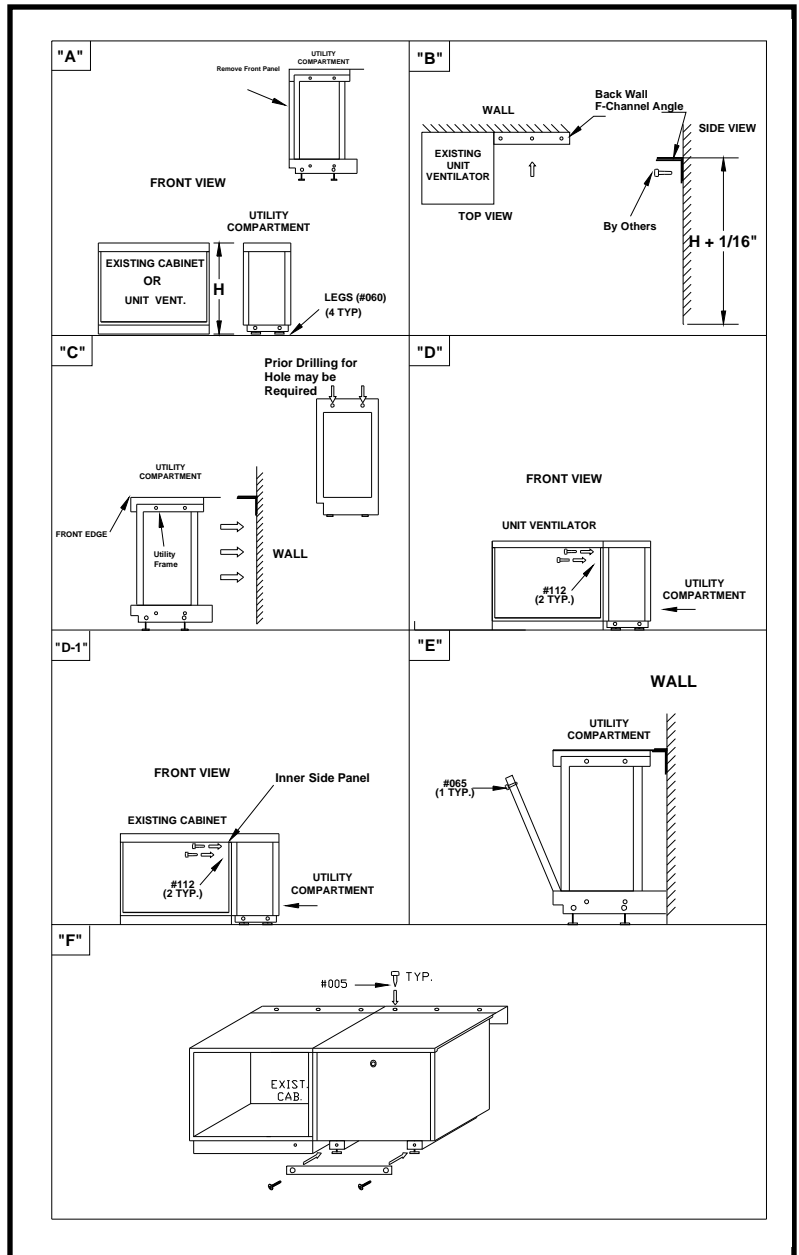
- (D) Align holes in the side of the top utility panel. Insert (2) #173 1/4" x 20-3/4" machine screws thru unit ventilator holes & tighten using 2-#173 1/4" x 20 serrated nuts. Adjust back wall F-Channel if needed to level with existing equipment. Make sure equipment on both sides are level and flush before tightening.
- (D-1) **Installation of Utility Compartment to Existing Cabinet**

Slide top utility panel into Back Wall F-Channel.

Line up holes in the utility panel with the two top holes in the cabinet inner end panel. Insert (2) #112 1/4" X 1 1/4" sheet metal screws through the top holes in the inner end panel to the holes in the utility compartment top panel. Adjust back wall F-Channel if needed to level with existing equipment. Make sure equipment on both sides are level and flush before tightening.

- (E) Install removable front panel.
- (F) Fasten (3) #005 Tek screws through the counter sunk holes in the F-Channel. This will secure unit in place. Using (2) #015 fasteners install front kick plate & adjust to hide leveling legs.

\*\*NOTE: Do not use hardware to pull existing cabinet and new filler section together



- **NOTE: Prior drilling for holes in unit ventilator side frame may be required.** Remove access panel on Unit Ventilator. Line up two top holes in the side end panel of new cabinet with the side frame of the unit ventilator. **(If Required)** Drill two 3/8" holes from the inside of the new cabinet side holes into the side frame of unit ventilator. **Make sure you have clearance for the drill bit before drilling.**