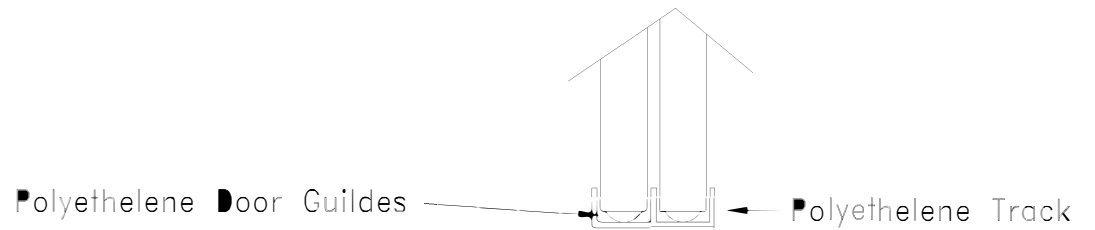
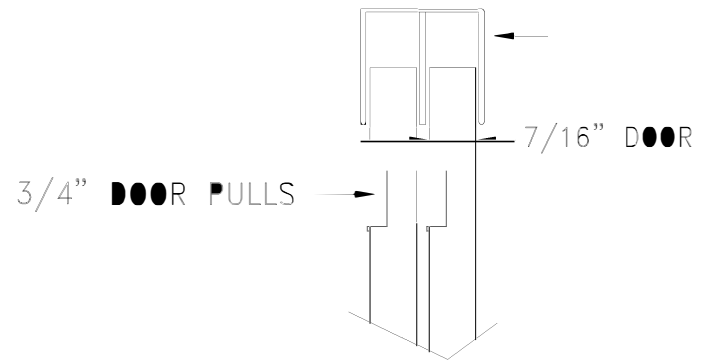


TOP DOOR TRACK



BOTTOM DOOR TRACK

NOTE: Dimensions Subject to Change Due to Regular Design Improvements

**HVAC
CUSTOM ENCLOSURE**

255 Great Arrow Ave
Buffalo, NY 14207
Phone: 716-646-0900

CONTRACTOR: _____ REPRESENTATIVE: _____

PROJECT:

MODEL: STANDAR CABINET W/ SLIDING DOORS

ARCHITECT: _____ ENGINEER: _____

DATE:
01/01/24

REV.
#001

DWG. NO.
SLIDING DOORS