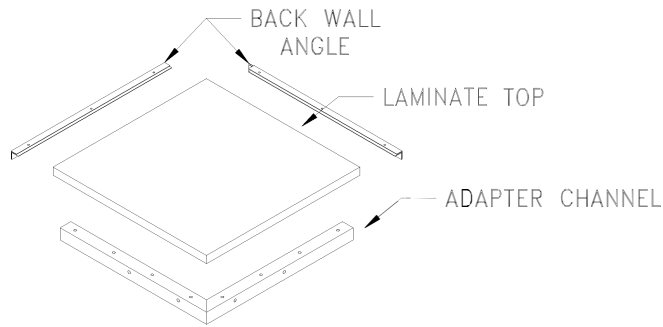
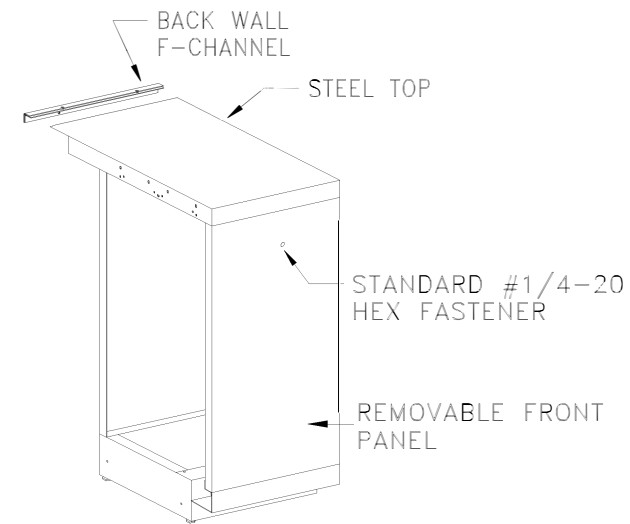
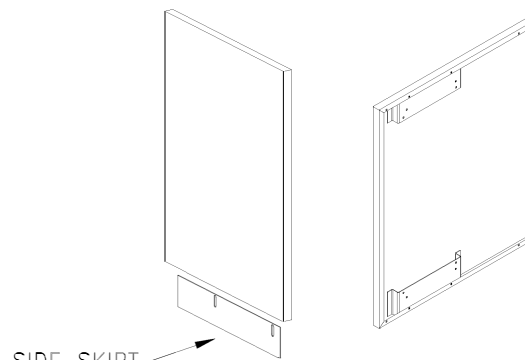


FILLER SECTION
(12", 18" & 24"
FIELD CUT TO FIT)



INSIDE / OUTSIDE CORNER



UTILITY COMPARTMENT
(SHIPPED FULLY ASSEMBLED)
(12", 18" & 24")

HVAC CUSTOM ENCLOSURE		255 Great Arrow Ave Buffalo, NY 14207 Phone: 716-646-0900
PROJECT:		
MODEL: CABINET, ACCESSORIES (LAMINATE TOP)		
DATE: 01/01/24	REV. #001	DWG. NO. SCLA-0000

CONTRACTOR: _____ REPRESENTATIVE: _____

ARCHITECT: _____ ENGINEER: _____