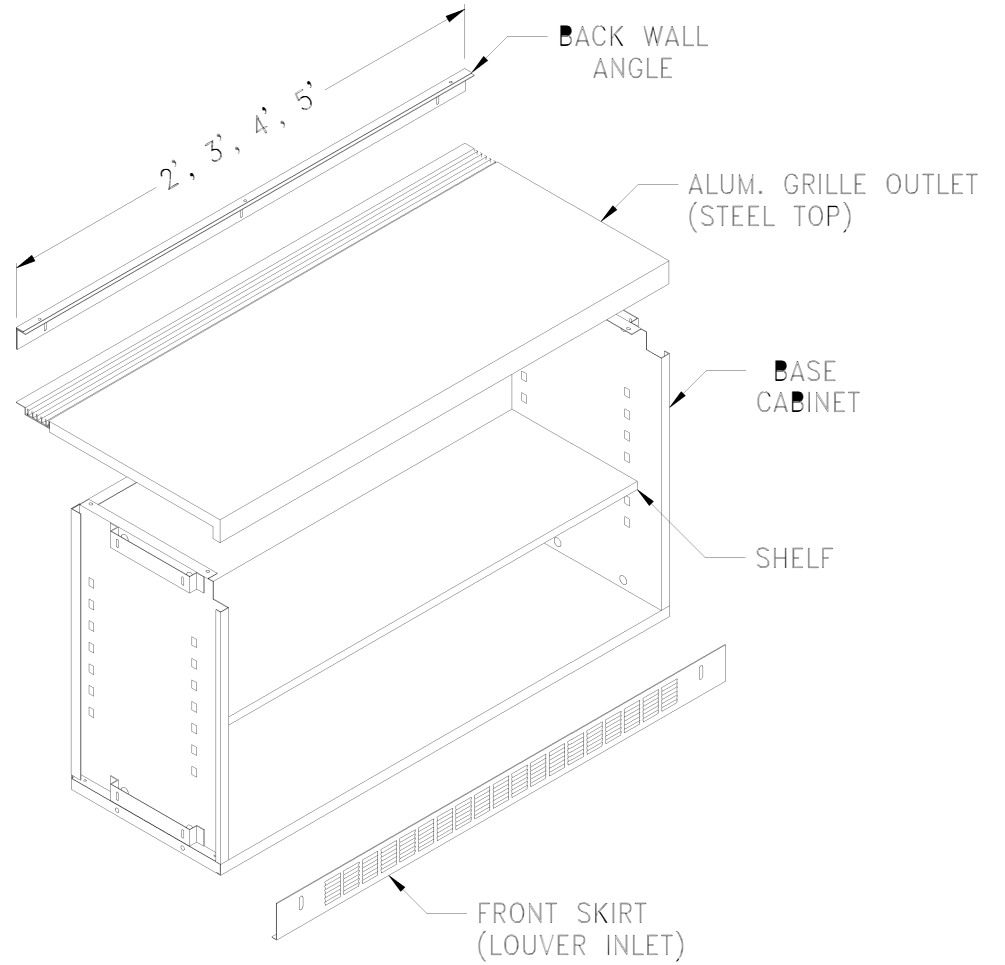
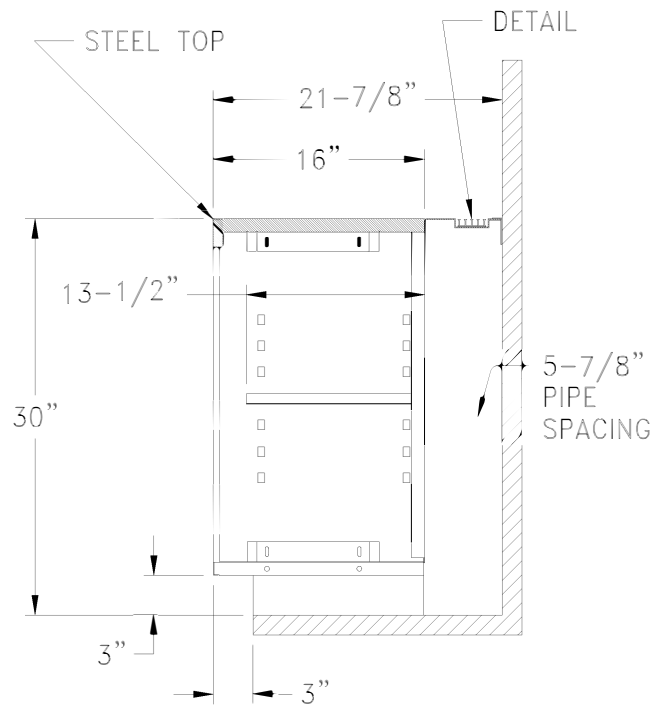


DETAIL



NOTE: Dimensions Subject to Change Due to Regular Design Improvements

**HVAC  
CUSTOM ENCLOSURE**

255 Great Arrow Ave  
Buffalo, NY 14207  
Phone: 716-646-0900

CONTRACTOR: \_\_\_\_\_ REPRESENTATIVE: \_\_\_\_\_

PROJECT:

MODEL: CABINET, ALUM. GRILLE OUTLET (STEEL TOP)

ARCHITECT: \_\_\_\_\_ ENGINEER: \_\_\_\_\_

DATE:  
01/01/24

REV.  
#001

DWG. NO.  
SC216-0008