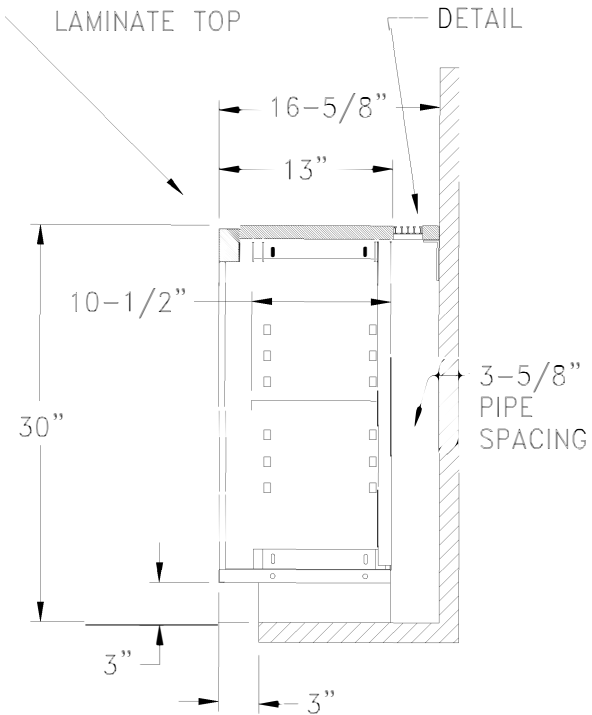
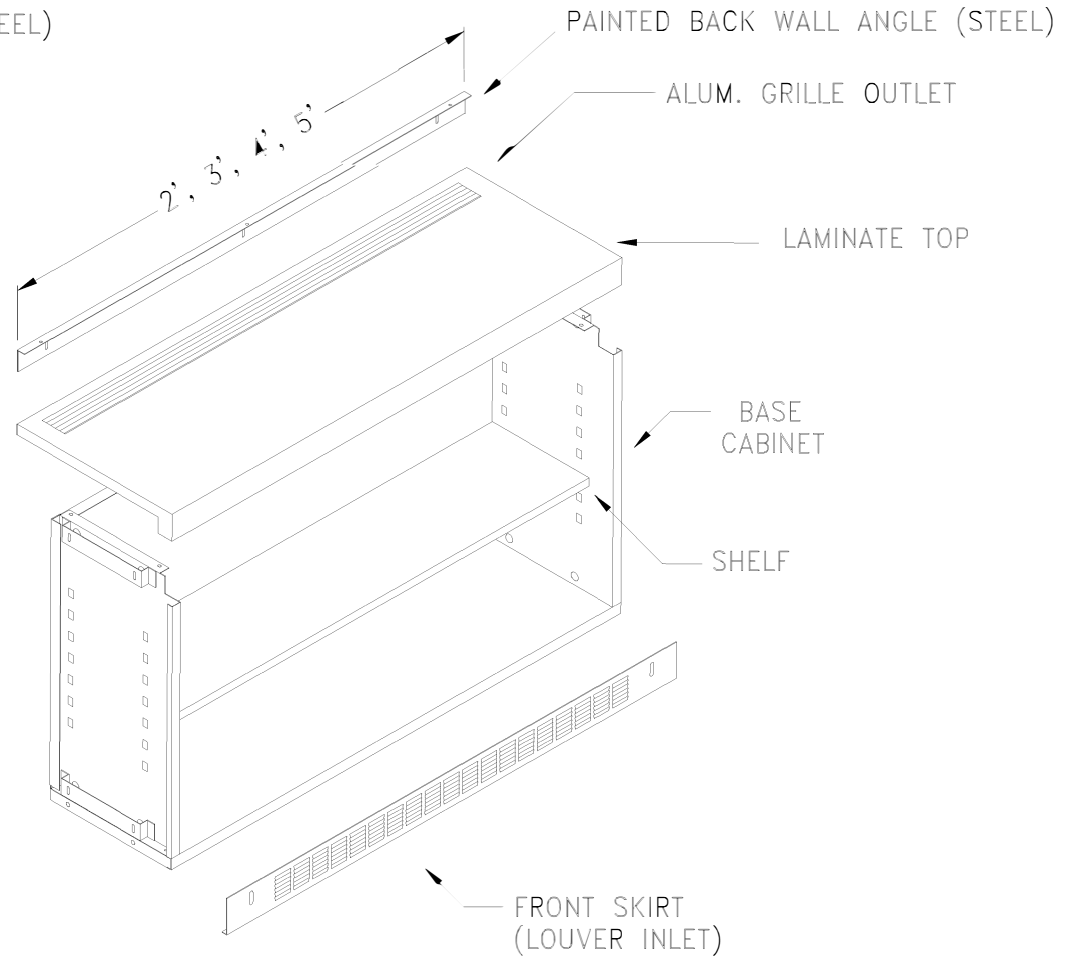


DETAIL

PAINTED BACK WALL ANGLE (STEEL)



NOTE: Dimensions Subject to Change Due to Regular Design Improvements

**HVAC
CUSTOM ENCLOSURE**

255 Great Arrow Ave
Buffalo, NY 14207
Phone: 716-646-0900

CONTRACTOR: _____ REPRESENTATIVE: _____

PROJECT: _____

ARCHITECT: _____ ENGINEER: _____

MODEL: CABINET, ALUM. GRILLE OUTLET (LAMINATE TOP)

DATE:
01/01/24

REV.
#001

DWG. NO.
SC166-0042