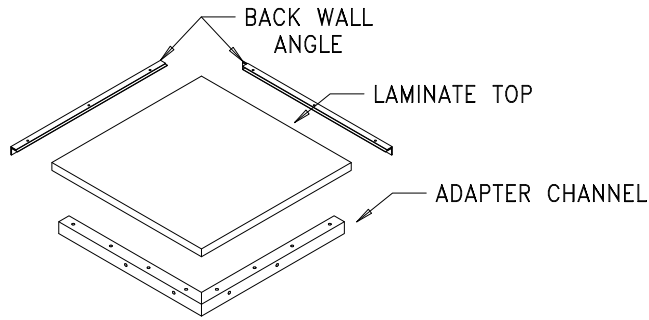
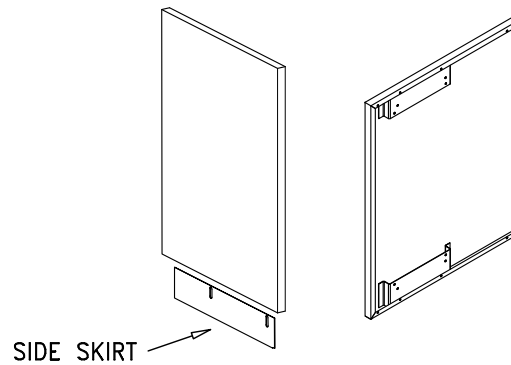


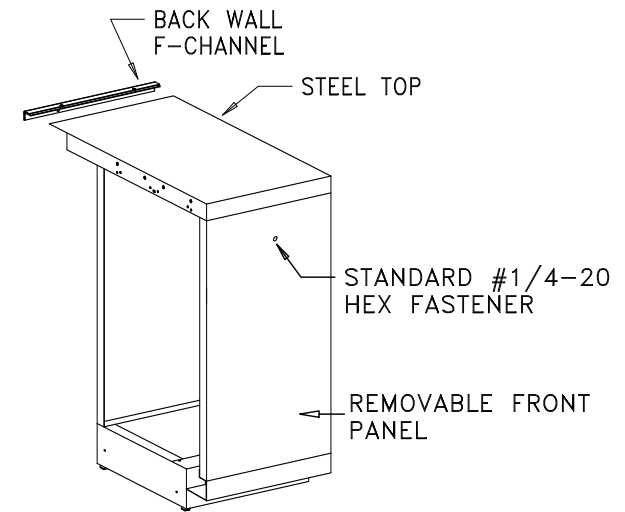
FILLER SECTION
(12", 18" & 24"
FIELD CUT TO FIT)



INSIDE / OUTSIDE CORNER



END PANEL



UTILITY COMPARTMENT
(SHIPPED FULLY ASSEMBLED)
(12", 18" & 24")

HVAC
CUSTOM ENCLOSURE CO. ; LLC

3554 Pleasant Ave.
Hamburg, NY 14075
Phone: 716-646-0900
Fax: 716-646-0913

CONTRACTOR: _____ REPRESENTATIVE: _____

ARCHITECT: _____ ENGINEER: _____

PROJECT:		
MODEL: CABINET, ACCESSORIES (LAMINATE TOP)		
DATE: 01/01/15	REV. #001	DWG. NO. SCLA-0000