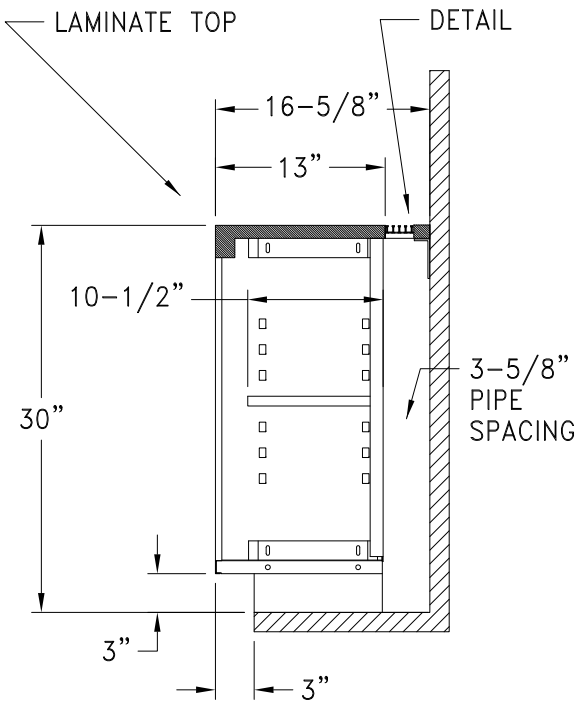
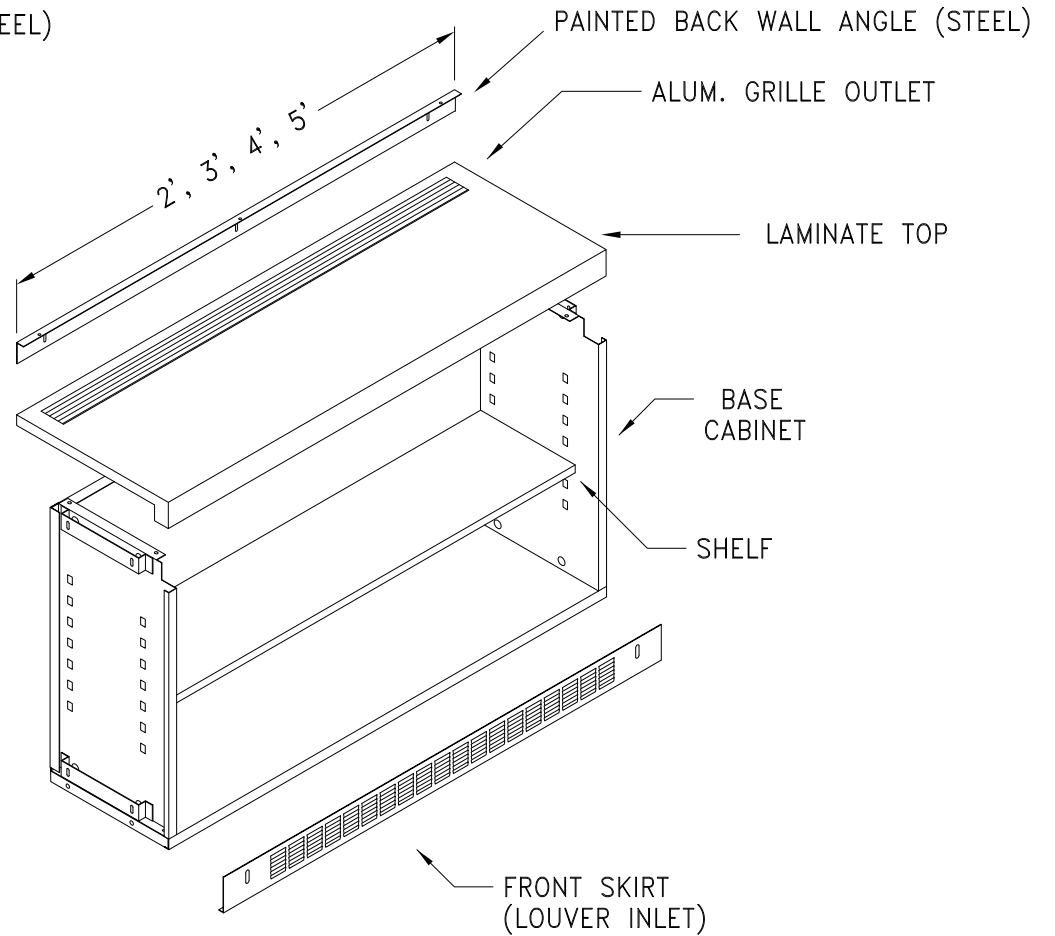


PAINTED BACK WALL ANGLE (STEEL)

DETAIL



HVAC CUSTOM ENCLOSURE CO. ; LLC			3554 Pleasant Ave. Hamburg, NY 14075 Phone: 716-646-0900 Fax: 716-646-0913		
			PROJECT:		
CONTRACTOR: _____ REPRESENTATIVE: _____			MODEL: CABINET, ALUM. GRILLE OUTLET (LAMINATE TOP)		
ARCHITECT: _____ ENGINEER: _____			DATE: 01/01/15	REV. #001	DWG. NO. SC166-0042

CONTRACTOR: _____ REPRESENTATIVE: _____

ARCHITECT: _____ ENGINEER: _____