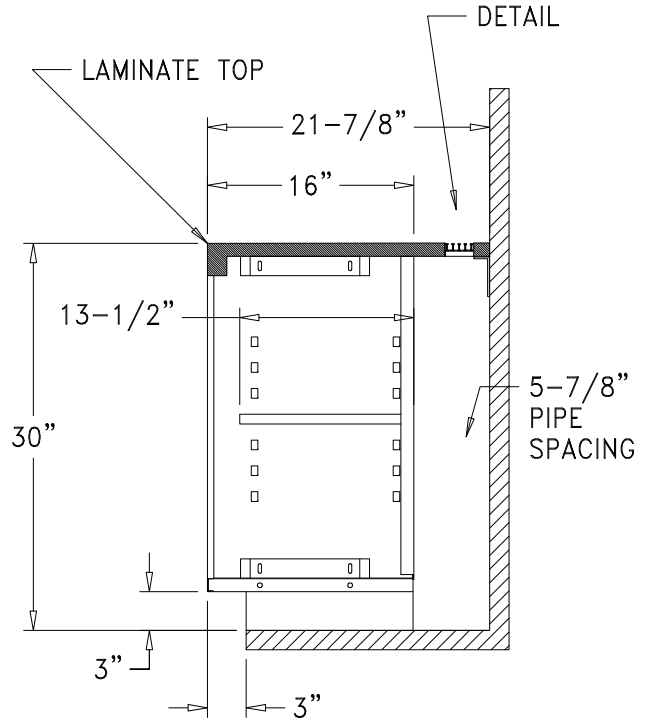
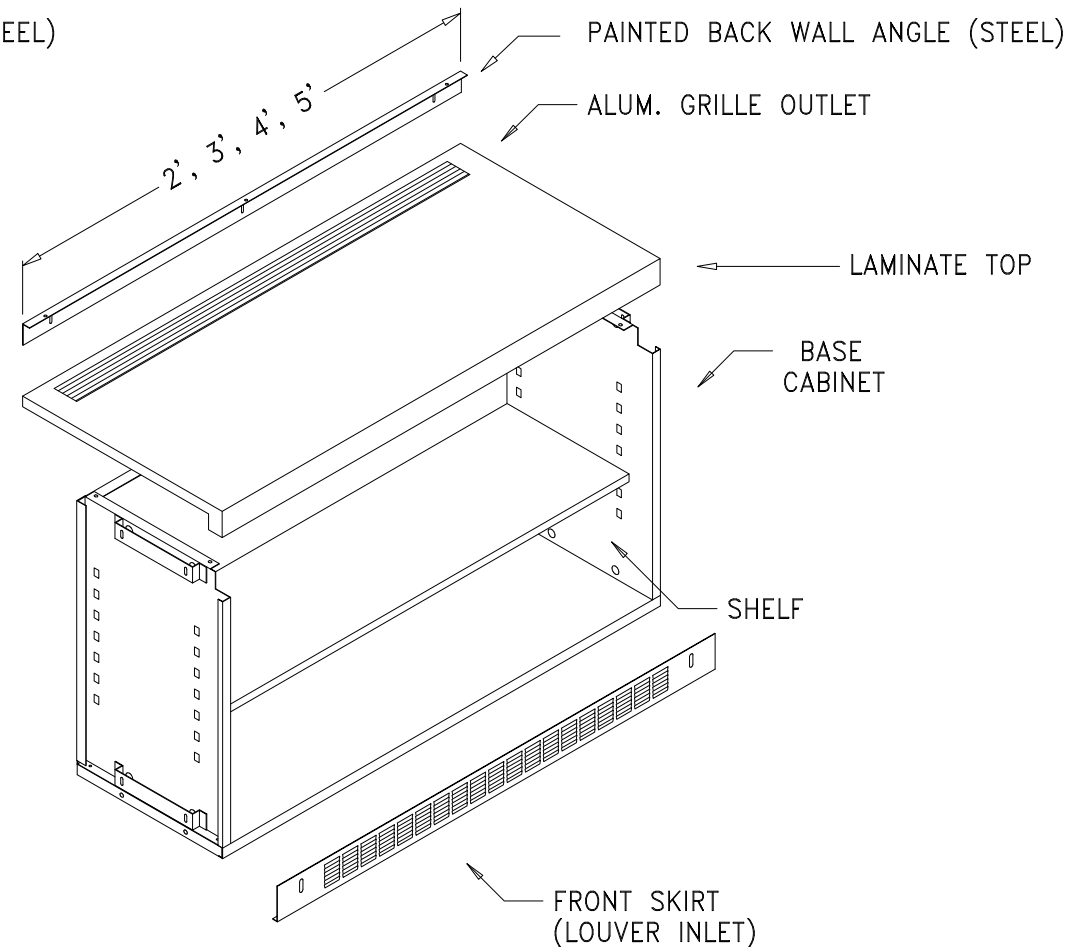


PAINTED BACK WALL ANGLE (STEEL)

DETAIL



<b>HVAC</b> <i>CUSTOM ENCLOSURE CO. ; LLC</i>		3554 Pleasant Ave. Hamburg, NY 14075 Phone: 716-646-0900 Fax: 716-646-0913
PROJECT:		
MODEL: CABINET, ALUM. GRILLE OUTLET (LAMINATE TOP)		
DATE: 01/01/15	REV. #001	DWG. NO. SC216-0020

CONTRACTOR: \_\_\_\_\_ REPRESENTATIVE: \_\_\_\_\_

ARCHITECT: \_\_\_\_\_ ENGINEER: \_\_\_\_\_