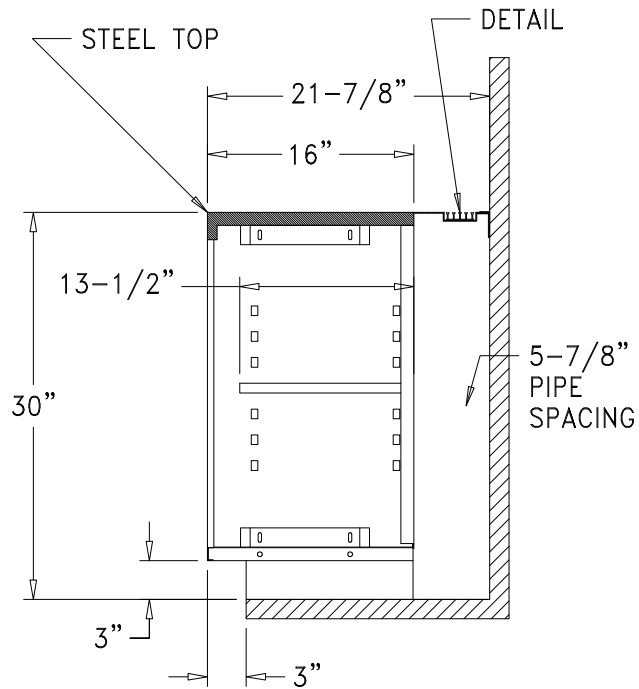
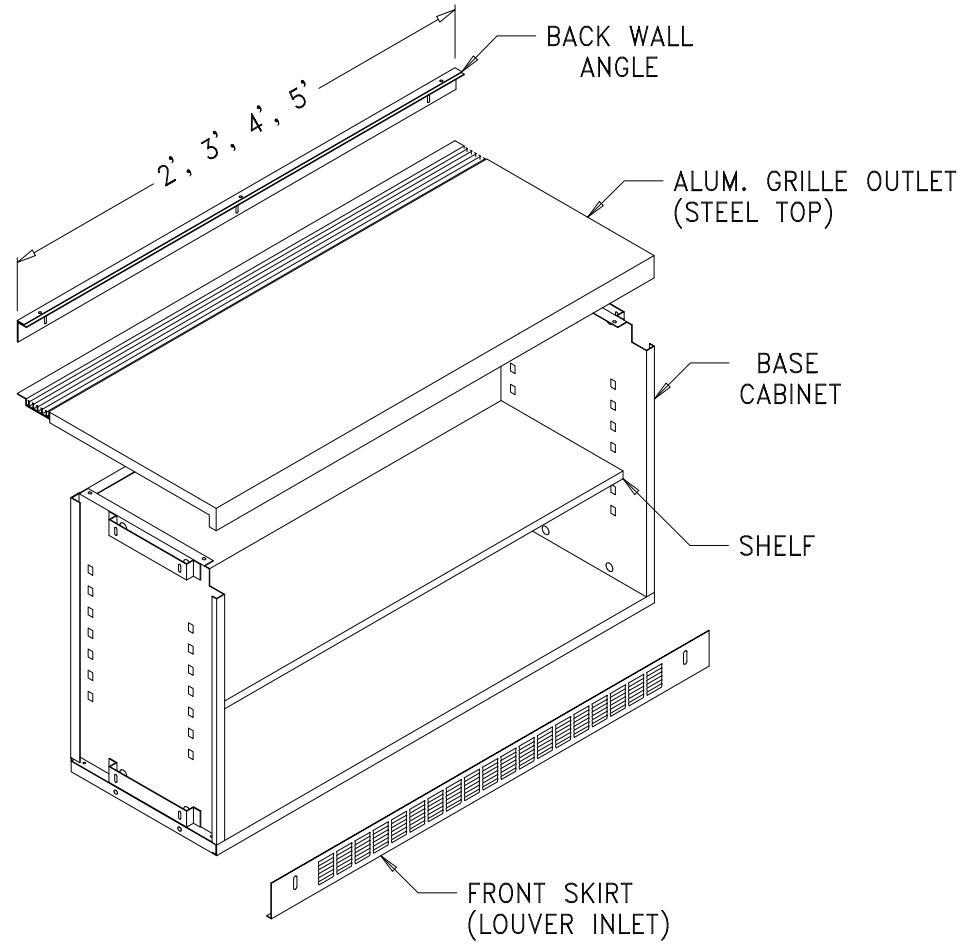


DETAIL



<i>HVAC</i> CUSTOM ENCLOSURE CO. ; LLC		3554 Pleasant Ave. Hamburg, NY 14075 Phone: 716-646-0900 Fax: 716-646-0913
PROJECT:		
MODEL: CABINET, ALUM. GRILLE OUTLET (STEEL TOP)		
DATE: 01/01/15	REV. #001	DWG. NO. SC216-0008

CONTRACTOR: _____ REPRESENTATIVE: _____

ARCHITECT: _____ ENGINEER: _____