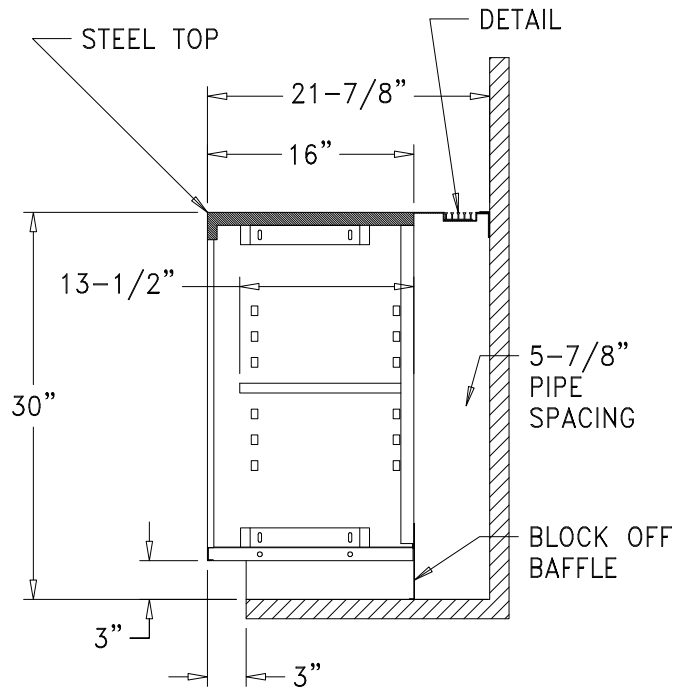
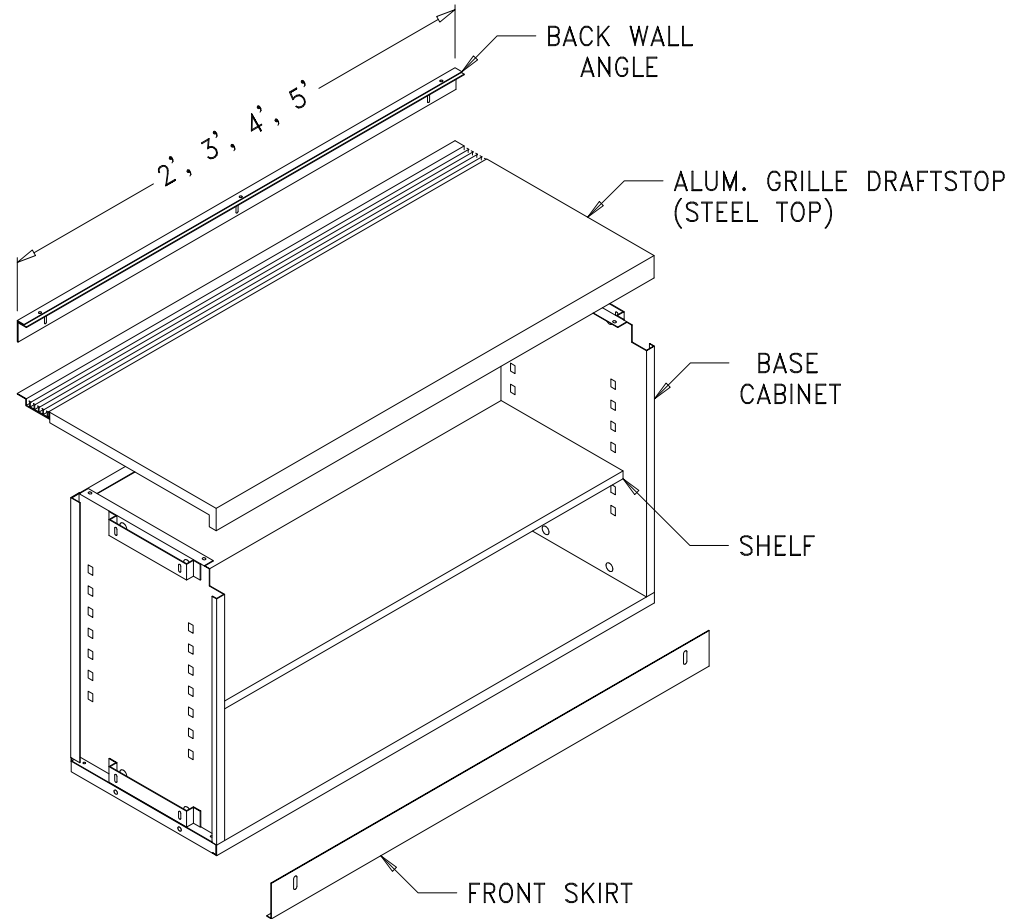


DETAIL



<i>HVAC</i> <b>CUSTOM ENCLOSURE CO. ; LLC</b>		3554 Pleasant Ave. Hamburg, NY 14075 Phone: 716-646-0900 Fax: 716-646-0913
PROJECT:		
MODEL: CABINET, ALUM. GRILLE DRAFTSTOP (STEEL TOP)		
DATE: 01/01/15	REV. #001	DWG. NO. SC215-0010

CONTRACTOR: \_\_\_\_\_ REPRESENTATIVE: \_\_\_\_\_

ARCHITECT: \_\_\_\_\_ ENGINEER: \_\_\_\_\_