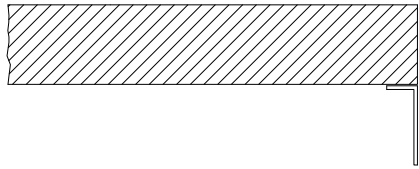
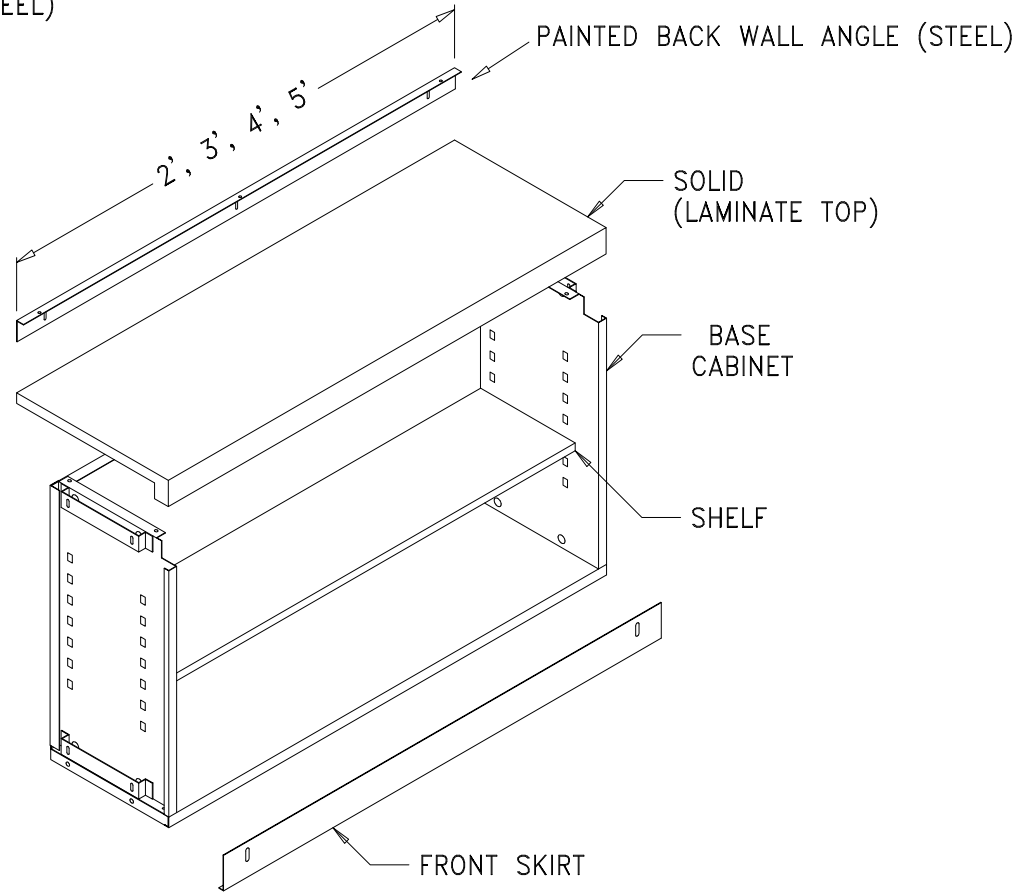


SOLID LAMINATE TOP



PAINTED BACK WALL ANGLE (STEEL)

DETAIL

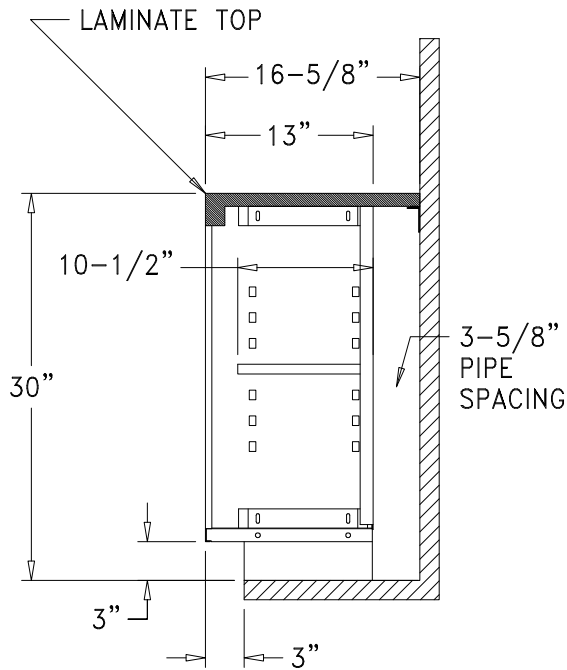


SOLID (LAMINATE TOP)

BASE CABINET

SHELF

FRONT SKIRT



LAMINATE TOP

16-5/8"

13"

10-1/2"

30"

3-5/8" PIPE SPACING

3"

3"

HVAC
CUSTOM ENCLOSURE CO. ; LLC

3554 Pleasant Ave.
Hamburg, NY 14075
Phone: 716-646-0900
Fax: 716-646-0913

CONTRACTOR: _____ REPRESENTATIVE: _____

ARCHITECT: _____ ENGINEER: _____

PROJECT:

MODEL: CABINET, SOLID (LAMINATE TOP)

DATE:
01/01/15

REV.
#001

DWG. NO.
SC162-0040